

# Central Brass

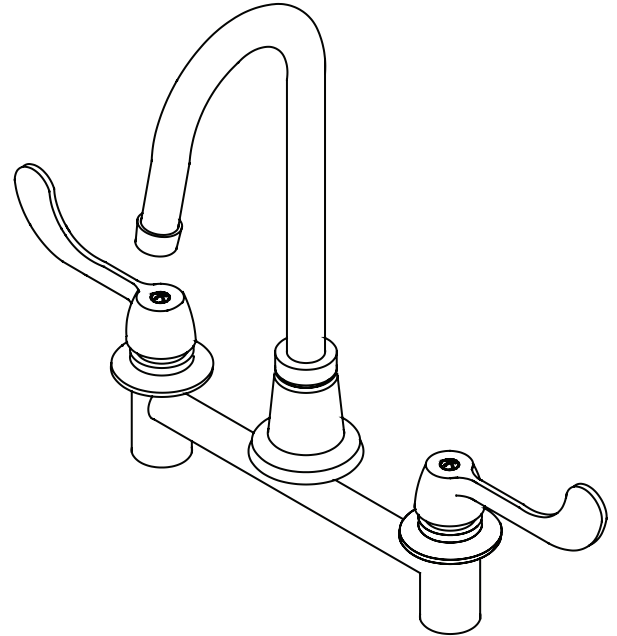
COMPANY

Brecksville, Ohio 44141  
 Phone: (216) 883-0220 Fax: (440) 526-5745  
 www.CentralBrass.com

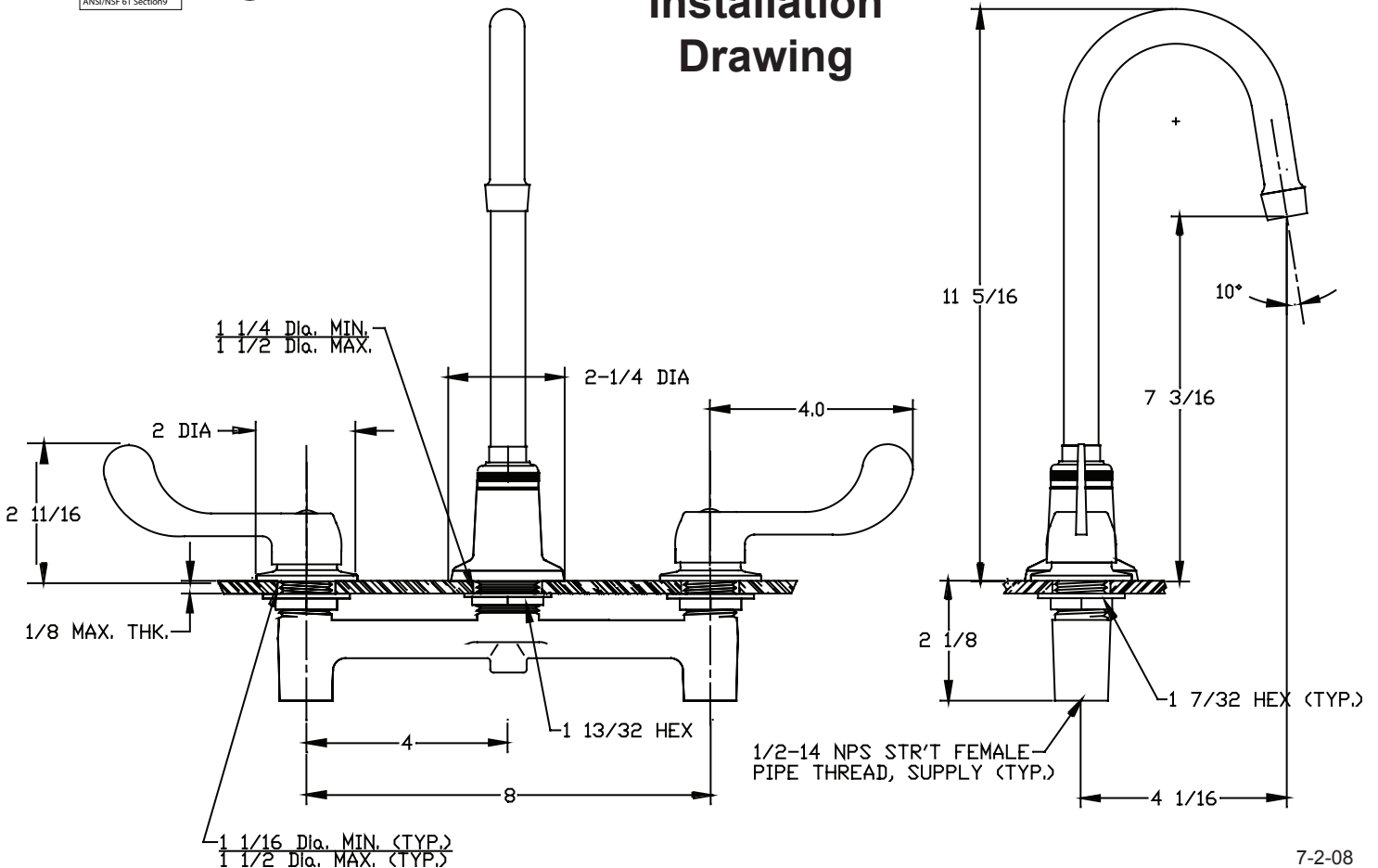
MODEL NO. 0072-GSAELS-Q  
**CONCEALED KITCHEN FAUCET**

The kitchen sink faucet has a cast brass body designed for concealed ledge mounting on a stainless steel sink. The Quick-Pression quarter-turn stems are all brass with a rubber packing and rubber seat washer. The 4-inch wrist blade handles are brass with a color coded hot (red) and cold (blue) index. The swivel gooseneck spout is brass with a chrome plated finish and is fitted with a water saving aerator that limits the flow rate.

Flow Rate: 2.0 GPM @ 60 psi  
 ASME A112.18.1M  
 ANSI/NSF 61/Section 9 Certified



## Installation Drawing



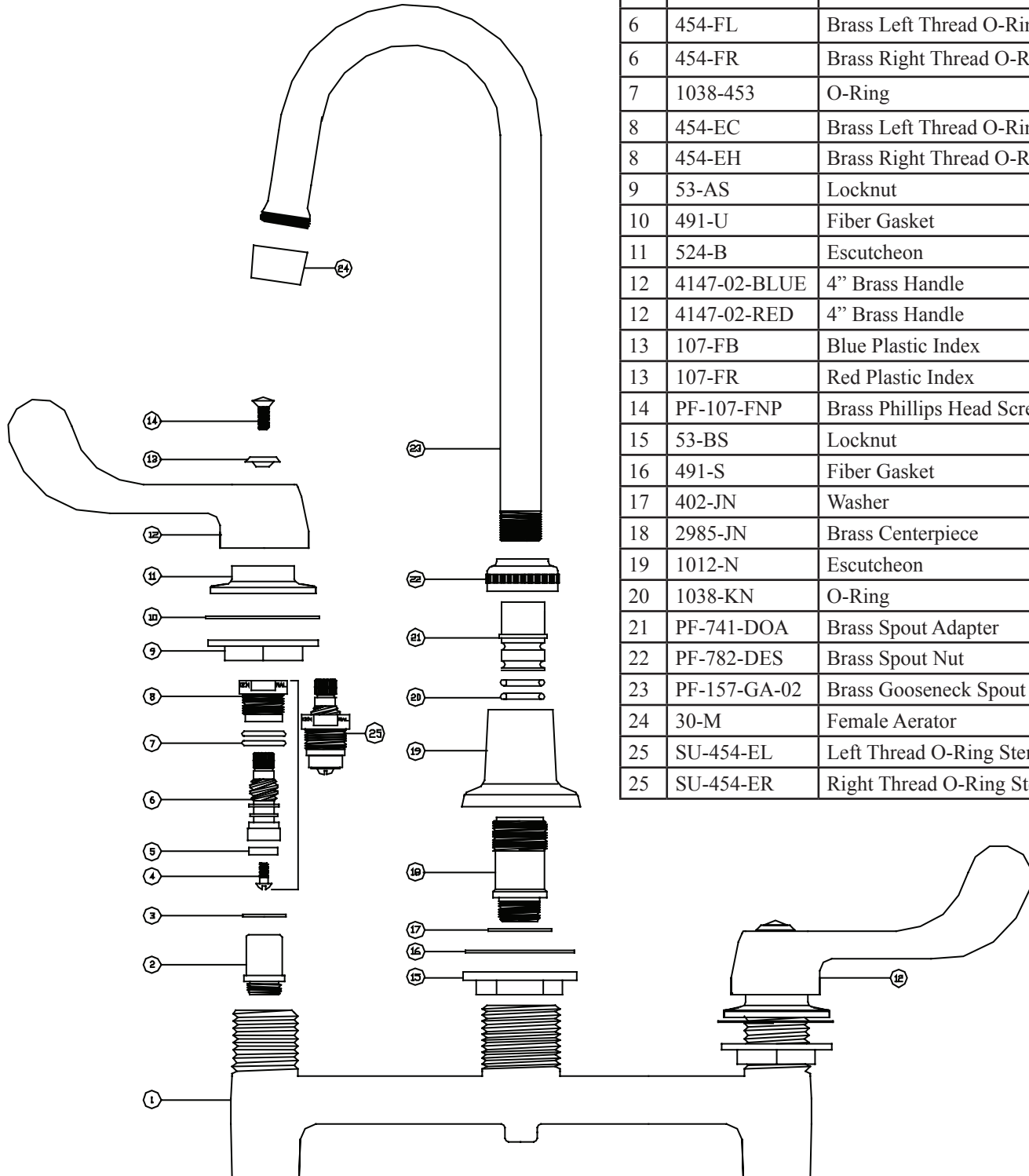
# Central Brass

COMPANY

Brecksville, Ohio 44141  
 Phone: (216) 883-0220 Fax: (440) 526-5745  
 www.CentralBrass.com

## MODEL NO. 0072-GSAELS-Q CONCEALED KITCHEN FAUCET

### Parts Breakdown



#	Part #	Description
1	1959-JN	Brass Faucet Body
2	PF-263-C	Brass Seat
3	1028-Y	Nylon Gasket
4	104	Brass Seat Washer Screw
5	901-WNN	Seat Washer
6	454-FL	Brass Left Thread O-Ring Stem
6	454-FR	Brass Right Thread O-Ring Stem
7	1038-453	O-Ring
8	454-EC	Brass Left Thread O-Ring Bonnet
8	454-EH	Brass Right Thread O-Ring Bonnet
9	53-AS	Locknut
10	491-U	Fiber Gasket
11	524-B	Escutcheon
12	4147-02-BLUE	4" Brass Handle
12	4147-02-RED	4" Brass Handle
13	107-FB	Blue Plastic Index
13	107-FR	Red Plastic Index
14	PF-107-FNP	Brass Phillips Head Screw
15	53-BS	Locknut
16	491-S	Fiber Gasket
17	402-JN	Washer
18	2985-JN	Brass Centerpiece
19	1012-N	Escutcheon
20	1038-KN	O-Ring
21	PF-741-DOA	Brass Spout Adapter
22	PF-782-DES	Brass Spout Nut
23	PF-157-GA-02	Brass Gooseneck Spout
24	30-M	Female Aerator
25	SU-454-EL	Left Thread O-Ring Stem Assembly
25	SU-454-ER	Right Thread O-Ring Stem Assembly