



DESCRIPTION

Metal Lever Handle
5" (128.2mm) Reach, 3-7/8" (99.1mm) High Spout
Ceramic Disk Cartridge with Temperature Limit
Stainless Steel Flex Connector lines
1 or 3 Hole Installation
Fits 4" Center
Brass Pop-Up Assembly
4" Deck Plate Included
Decorative Escutcheon Included

FLOW

2.2GPM

STANDARDS

ASME A112.18.1M
ANSI A117.1
ANSI / NSF 61, SECTION 9
IAPMO LISTED (Pending)
ADA COMPLIANT

PRODUCT NUMBERS

#443300
#443200 Less Brass Pop-Up Assembly
#443300G With Grid Strainer Assembly

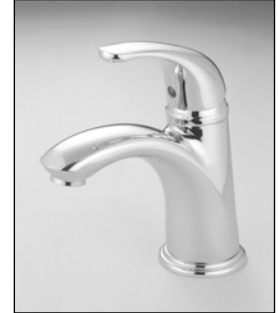
FINISHES

BC PVD BRUSHED CHROME
BN PVD BRUSHED NICKEL
BP PVD BLACK PEARL
CP CHROME
PB PVD POLISHED BRASS
PN PVD POLISHED NICKEL
TB PVD TUSCANY BRONZE

PREMIUM SERIES LAVATORY FAUCET



W/ 4" DECK PLATE



W/ DECORATIVE



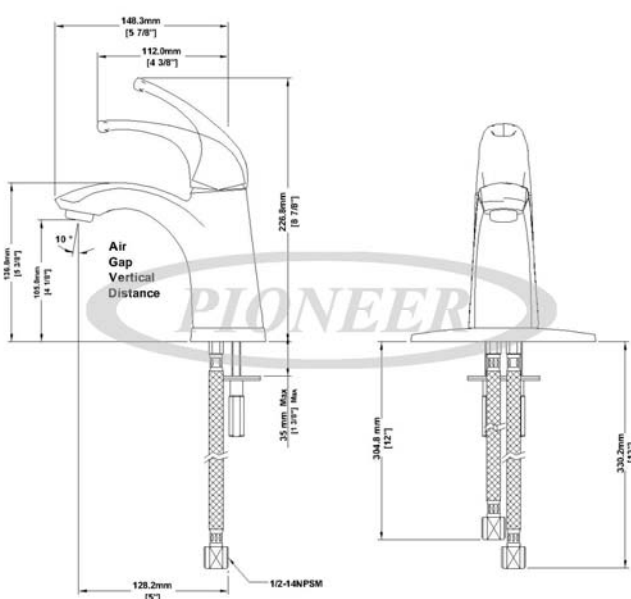
Model #: _____

Specific Features: _____

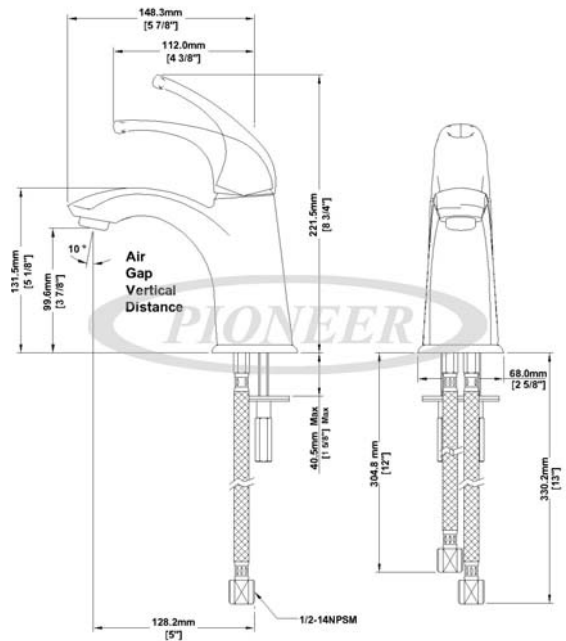
Project Name: _____

Submitted For: _____

Date: _____



WITH 4" DECK PLATE



WITH DECORATIVE ESCUTCHEON

