

Central Brass

COMPANY

Brecksville, Ohio 44141

Phone: (216) 883-0220 Fax: (440) 526-5745

www.CentralBrass.com

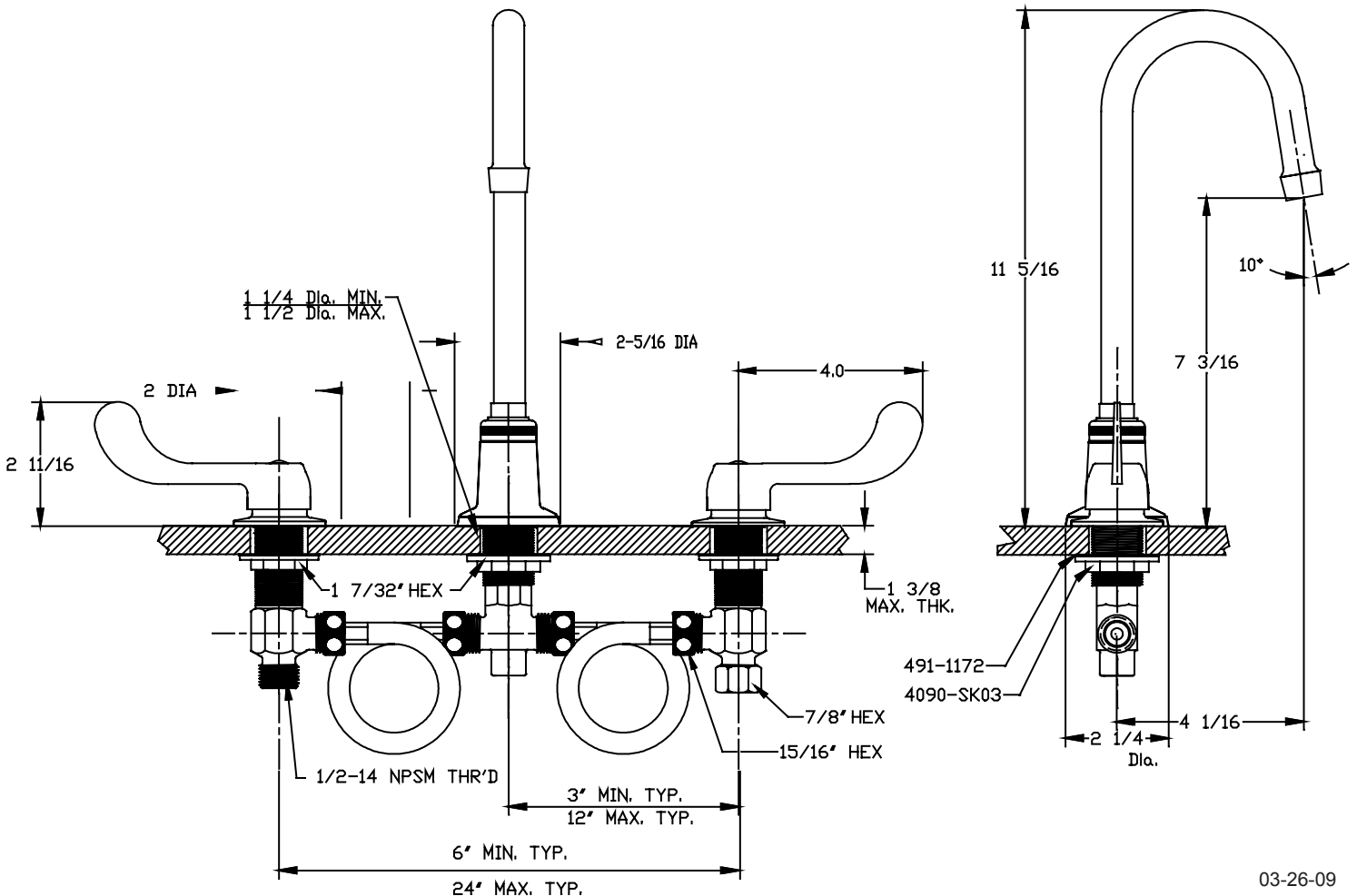
MODEL NO. 1172-GSAELS-Q
WIDESPREAD SINK FAUCET

The widespread sink faucet is made with individual cast brass valves connected by nylon reinforced tubing. The center distance of the faucet can be adjusted from 6 to 24 inches. The gooseneck spout is brass with a chrome plated finish and is fitted with a water saving aerator that limits the flow rate. The quarter-turn stems are all brass with a double O-Ring seal and rubber seat washer. The 4-inch wrist blade handles are brass with a chrome plated finish and color coded handles. The escutcheons are zinc die cast with a chrome plated finish.

Flow Rate: 2.0 gpm @ 60 psi
ADA Compliant and Meets ASME A112.18.1M
Certified by IAPMO R&T to NSF/ANSI 61



Installation Drawing



Central Brass

COMPANY

Brecksville, Ohio 44141

Phone: (216) 883-0220 Fax: (440) 526-5745

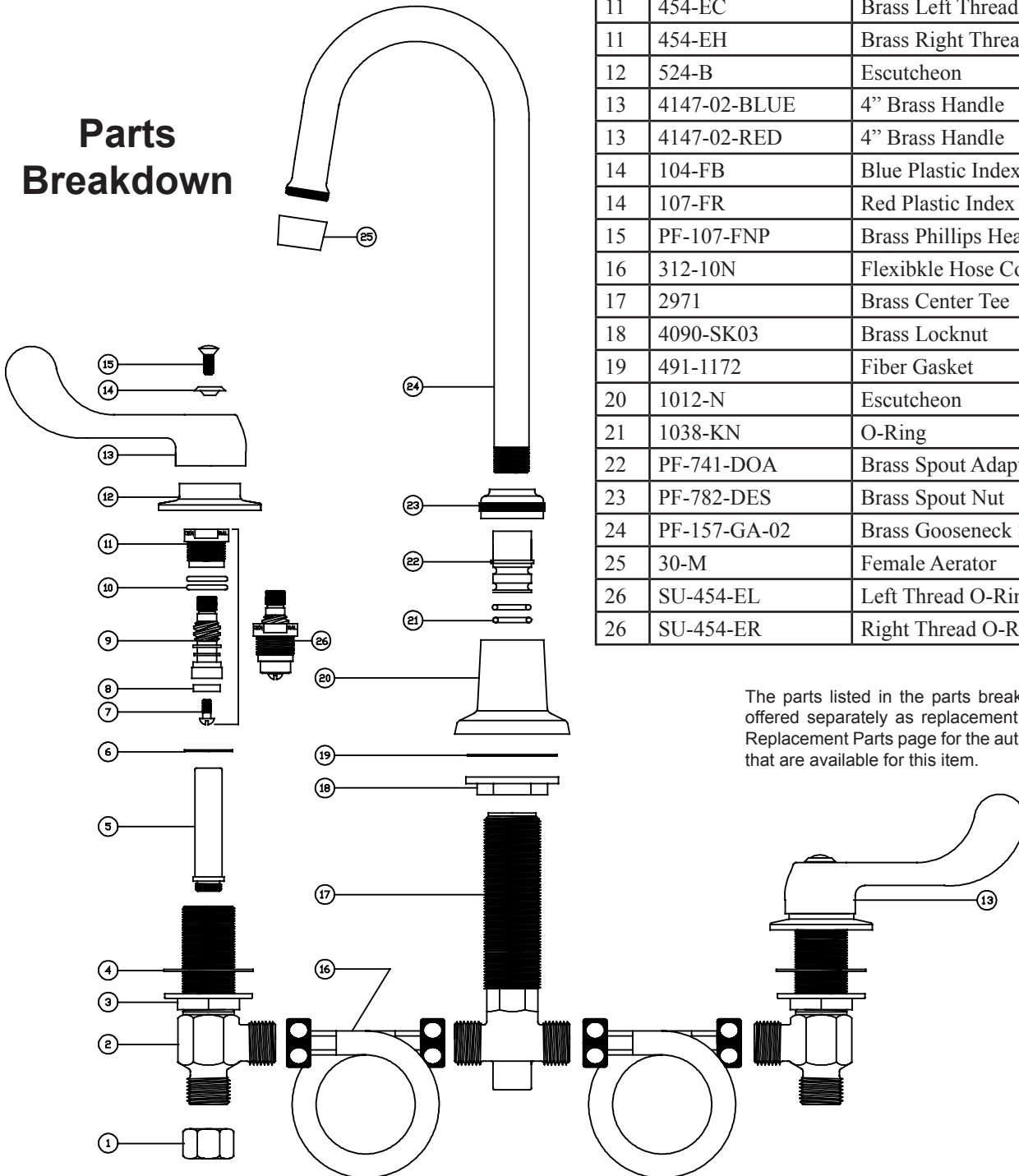
www.CentralBrass.com

**MODEL NO. 1172-GSAELS-Q
WIDESPREAD SINK FAUCET**

#	Part #	Description
1	4015-BAR	Brass Coupling Nut
2	2970-S	Brass Corner Body
3	53-AS	Locknut
4	491-U	Fiber Gasket
5	PF-263-D	Brass Seat

#	Part #	Description
6	1028-Y	Nylon Gasket
7	104	Brass Seat Washer Screw
8	901-WMM	Seat Washer
9	454-FL	Brass Left Thread O-Ring Stem
9	454-FR	Brass Right Thread O-Ring Stem
10	1038-453	O-Ring
11	454-EC	Brass Left Thread O-Ring Bonnet
11	454-EH	Brass Right Thread O-Ring Bonnet
12	524-B	Escutcheon
13	4147-02-BLUE	4" Brass Handle
13	4147-02-RED	4" Brass Handle
14	104-FB	Blue Plastic Index
14	107-FR	Red Plastic Index
15	PF-107-FNP	Brass Phillips Head Screw
16	312-10N	Flexibkle Hose Connector
17	2971	Brass Center Tee
18	4090-SK03	Brass Locknut
19	491-1172	Fiber Gasket
20	1012-N	Escutcheon
21	1038-KN	O-Ring
22	PF-741-DOA	Brass Spout Adapter
23	PF-782-DES	Brass Spout Nut
24	PF-157-GA-02	Brass Gooseneck Spout
25	30-M	Female Aerator
26	SU-454-EL	Left Thread O-Ring Stem Assembly
26	SU-454-ER	Right Thread O-Ring Stem Assembly

Parts Breakdown



The parts listed in the parts breakdown above may not be offered separately as replacement parts. Please review the Replacement Parts page for the authorized replacement parts that are available for this item.