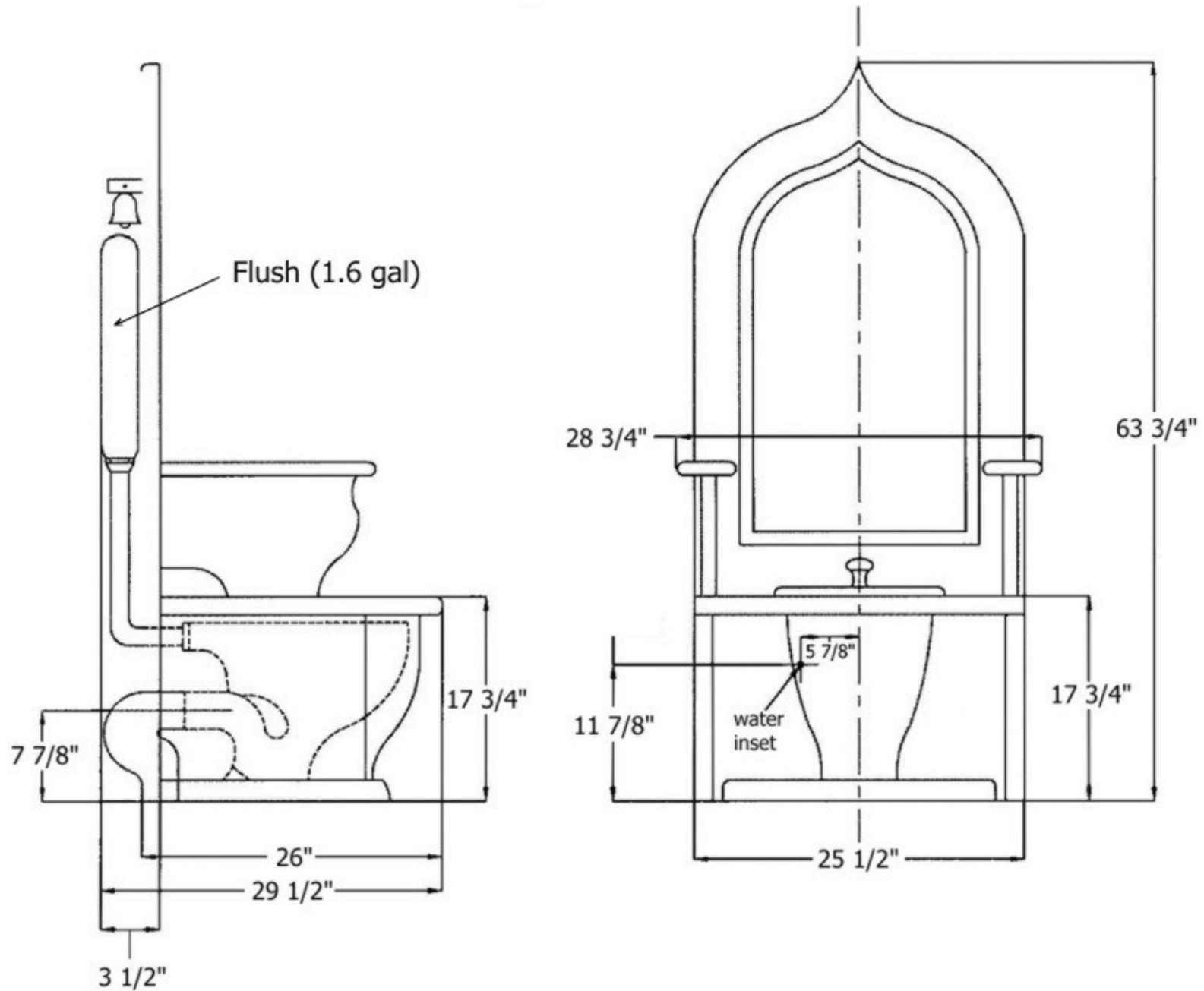


5501 & 5502 'Dagobert' Wooden Toilet Throne and Sanitary Equipment



ACCESSING THE FLUSH MECHANISM IN THE DAGOBERT THRONE

TOOLS REQUIRED:

FLAT HEAD SCREW DRIVER

ADJUSTABLE WRENCH

**** TO AVOID DAMAGE TO FACE PLATE, USE A SOFT CLOTH TO PLACE THE PLATE ON, IN A SECURE AREA****

- 1) REMOVE THE HOLD DOWN SCREWS FASTENING THE FACE PLATE TO THE DAGOBERT THRONE. (*COUNTER CLOCK WISE*)
- 2) PLACE THE PLATE ON A SOFT CLOTH. (*SEE EXAMPLE # 1*)



{EXAMPLE 1}

- 3) REMOVING THE PLATE WILL EXPOSE THE COVER PLATE TO THE FLUSH MECHANISM. (*SEE EXAMPLE # 2*)



Herbeau[®]
L'Art du Sanitaire depuis 1857



{EXAMPLE # 2}

- 4) REMOVE THE FLUSH MECHANISM PLATE IN *EXAMPLE # 2*, BY REMOVING THE LOCK DOWN NUTS AND WASHERS.
- 5) THIS WILL EXPOSE THE FLUSH MECHANISM. (*SEE EXAMPLE # 3*)



Herbeau®
L'Art du Sanitaire depuis 1857



{EXAMPLE # 3}

6) TO REASSMBLE, JUST REVERSE THE PROCEEDURE.

PLEASE CALL US AT 1-800-547-1608 EXT 37 WITH QUESTIONS OR CONCERNS



Herbeau[®]
L'Art du Sanitaire depuis 1857