



**There is only one
flowing together**

BRANIFF

WATER SOLUTIONS

one way: ner

Through our emblematic brands, designs, technology, sustainability and supreme quality that guide our daily work, and backed by more than 112 years of experience, we have met the needs of our customers, employees and the social groups connected with our company, while we take care of nature. Throughout this time, we have made many decisions and learned that there is only one way: **flowing together.**

BRANIFF
WATER SOLUTIONS

Contents

7	Our history
11	Our company
13	Awards and Certifications
14	Our technologies
17	Sustainability
23	Toilets
31	Sinks
43	Commercial
51	Spec sheets



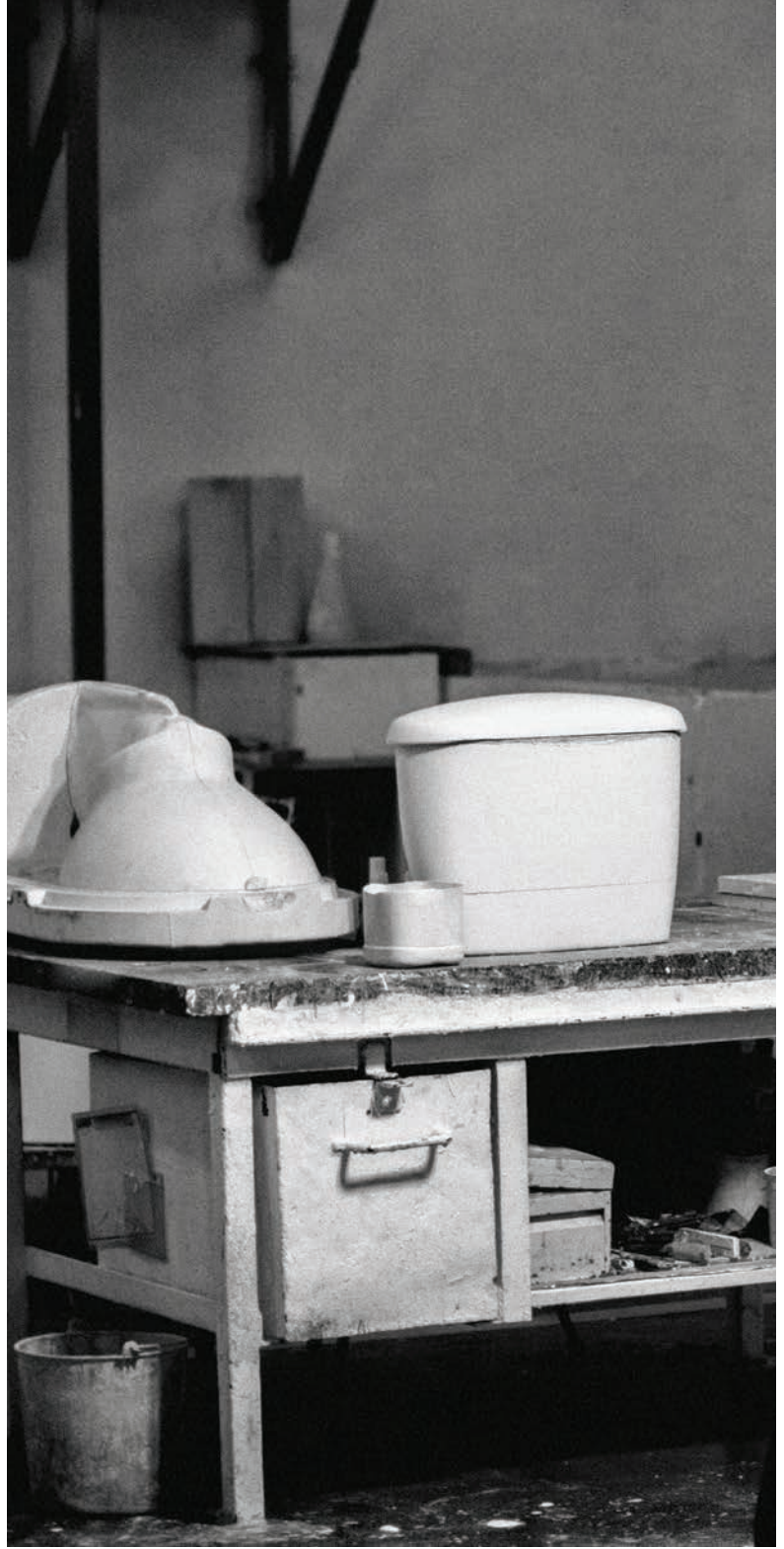
Our history

The founder of our company.

The founder of our company was William Braniff Carroll, an engineer who lived in New York and worked for the railroad company in the United States. In 1900, he was commissioned to build the railroad in Mexico, where he met his wife and her family's country estate. This hacienda home had 15 rooms, but very few bathrooms. Then, William Braniff Carroll wondered "how is it possible that such large and beautiful houses have so few bathrooms?", and this question would change his life.

At that precise moment, he decided to stop working at the railroad company and, in early 1907, he started a small company that imported bathroom products, and this is how our story begins. Today, after 112 years and 4 generations, we return to USA with the Braniff brand, honoring our founder. Thus, we look at our legacy to transform the future.

**Let's build
new paths of
collaboration
together to
obtain great
results.**







Our company

More than 112 years of leadership experience.

Braniff is part of our global company with operations in eleven countries, including the United States. Today Braniff remains at the forefront, confirming our commitment not only to our clients and customers but to our environment as well. Our manufacturing processes and innovative designs meet and exceed the most demanding ecological standards; moreover, we have imposed on us the highest standards in the development of our products. Our daily work is guided by values such as honesty and respect to others and to our environment.

Our collections of toilets and sinks have great prestige in the market due to their high quality, innovative design, technology and wide assortment. Finally, we have created a department to provide personalized customer service, facilitating our customers with the information they need before, during and after the sales process in order to continue flowing together.



Awards and Certifications

Quality and commitment above all.

Braniff's commitment to customers, process and product quality, and responsible action in favor of the environment and the communities where we participate, are an essential part of our company, which has obtained several national and international awards and certifications, such as:



reddot design award

EPA Water Sense

UPC

ASME A 112.18.1

ISO-9000

ISO-14000

Good Design Award

Red Dot Design Award

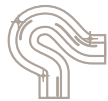
Our technologies



Warranty: 10 years on Vitreous China and 1 year on fittings.



Responsible use of water is a priority; therefore, our toilets meet the Ecological Grade certification requirements, which makes them eco-friendly.



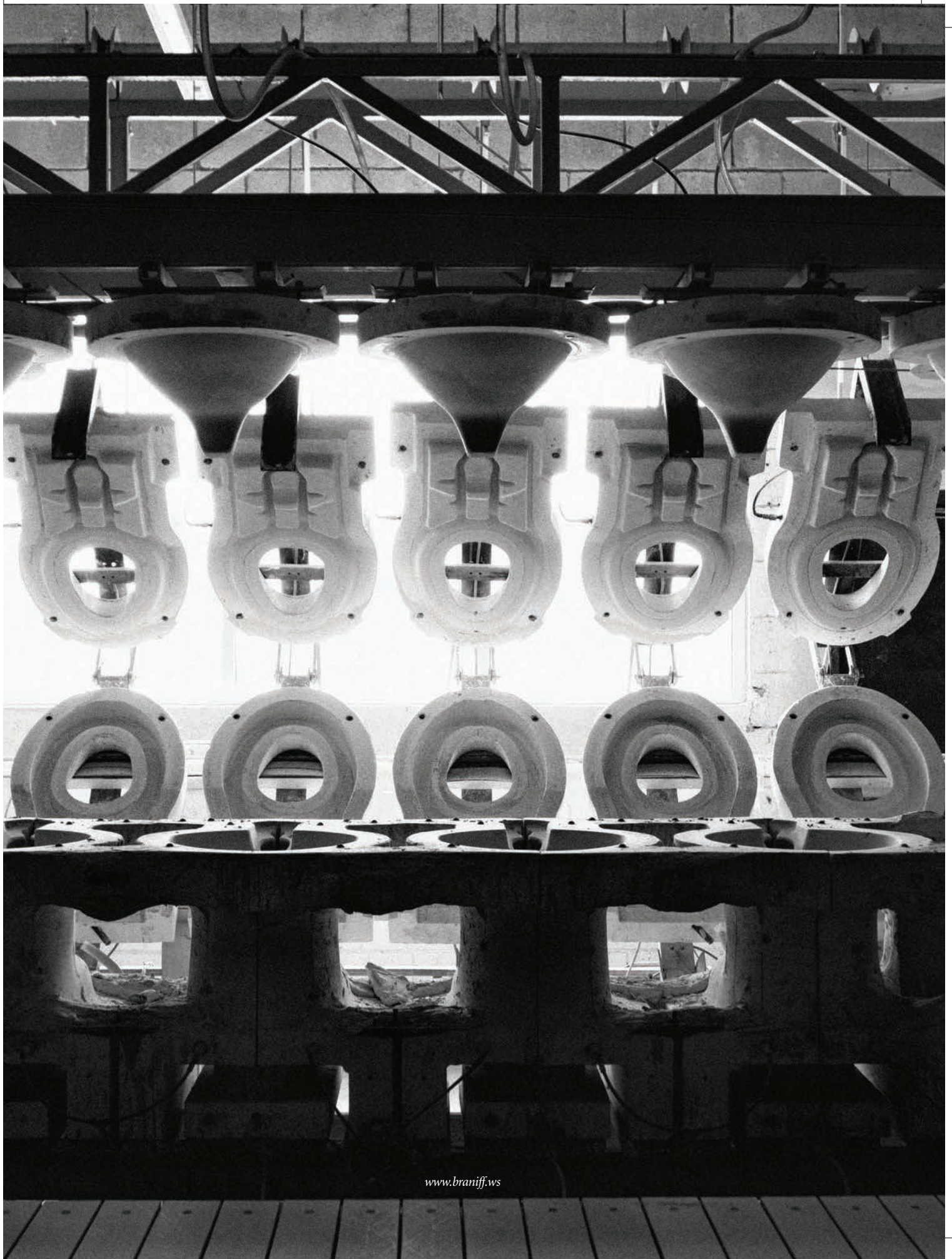
Braniff toilets have glazed trapways that prevent the buildup of waste and bacteria on the walls.

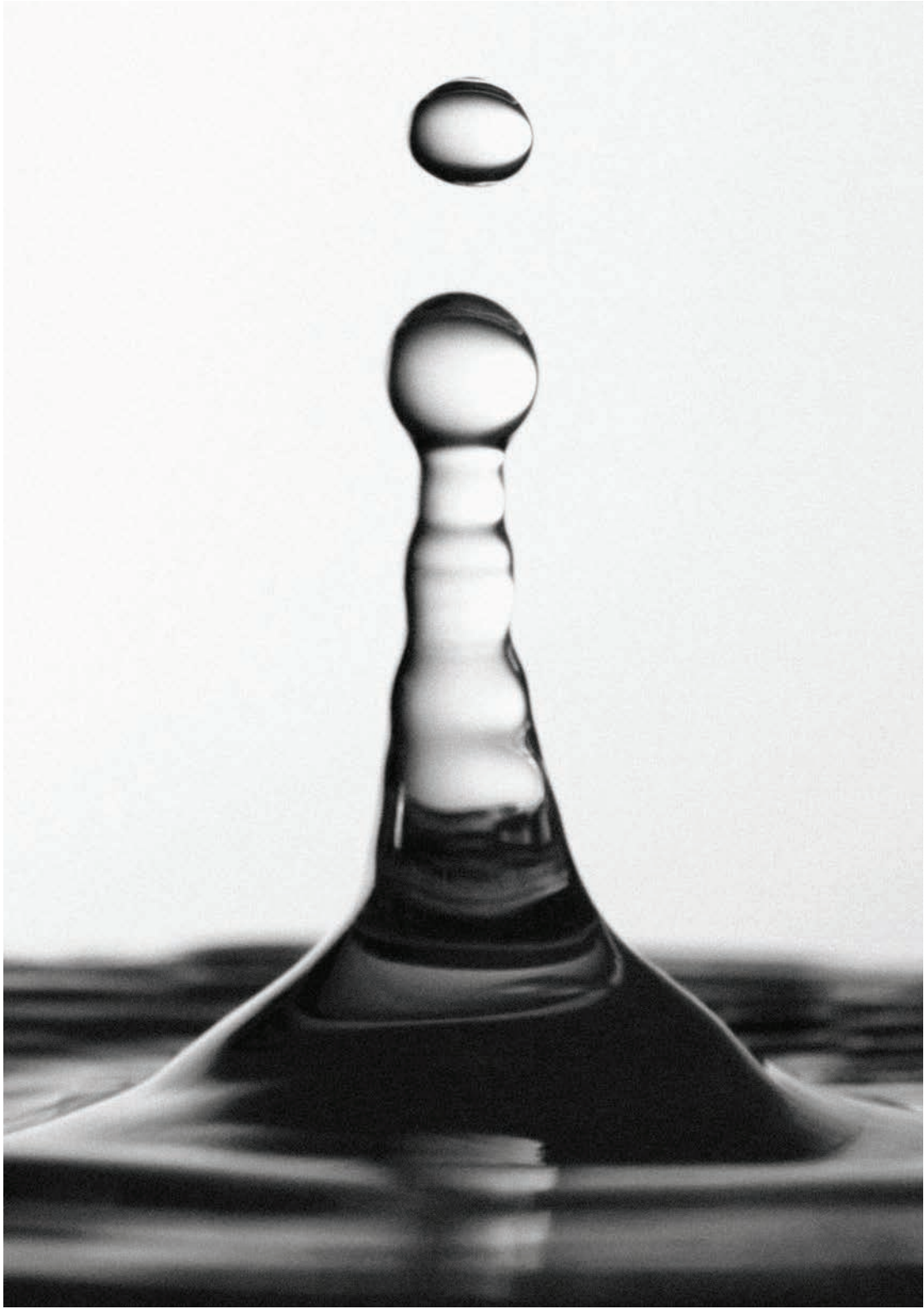


Optimal performance is key; for that reason, Braniff toilets provide high flush capacity.



Taking into account that comfort is important, our versatile designs harmonize with the bathroom environment and some of our products provide a comfortable height that adapts to the human body to offer a greater level of comfort.





Sustainability

Philosophy of life.

For Braniff, social responsibility is a philosophy of life that encompasses all of our organization's divisions and the groups we work with, in order to remain sustainable. Thus, our company has carried out several actions, such as development and design of new products and technologies that contribute to reduce water consumption transcendently, saving water and returning it in the same or better conditions as it was taken from Mother Nature.

Over the years, Braniff has developed strategies and projects that promote this commitment, obtaining many certifications and awards that support our actions and our reputation as a company with a solid vision for the future: that is to say, sustainability and community support. We believe in a better world; so, day by day we show great solidarity and work determinedly in order to achieve it.





**Working together
just the beginning
flowing together
lead us to a better
future.**

BRANIFF
WATER SOLUTIONS



ther is
ning,
her will
etter







Toilets



Creel

HET TOILET



Water consumption: 1.28 GPF

Flush Valve: 3"

MaP: RF, EL 600 gr./ ADA 800 gr.

Rough-In Models: 12"

Warranty: 10 years on Vitreous

China & 1 year on fittings

RF Bowl TZ2028A020.B

EL Bowl TZ2030A020.B

ADA Bowl 50470020.B

12" Rough-In Tank TQ1032A020.B



 Fluidmaster.

Real

HET TOILET



Water consumption: 1.28 GPF

Flush Valve: 3"

MaP: RF 600 gr./ EL 700 gr.

Rough-In Models: 12"

Warranty: 10 years on Vitreous
China & 1 year on fittings

RF Bowl TZ2029A020.B

EL Bowl TZ2031A020.B 12" Rough-In Tank TQ1034A020.B



 Fluidmaster.

Dolphin

HET TOILET



Water consumption: 1.28 GPF
Flush: Dual-fed siphon jet
MaP: RF, EL 600 gr./ ADA 800 gr.
Rough-In Models: 12" / 14"
Warranty: 10 years on Vitreous
China & 1 year on fittings
R&T fittings on Tank Dual

RF Bowl TZ2028A020.B
EL Bowl TZ2030A020.B
ADA Bowl 50470020.B

12" Rough-In Tank TQ1033A020.B

14" Rough-In Tank TQ1036A020.B

12" Rough-In Tank Dual 51603020.B

12" Rough-In Tank Right Lever
TQ1033C020.B

12" Rough-In 1.6 GPF Tank TQ1033B020.B



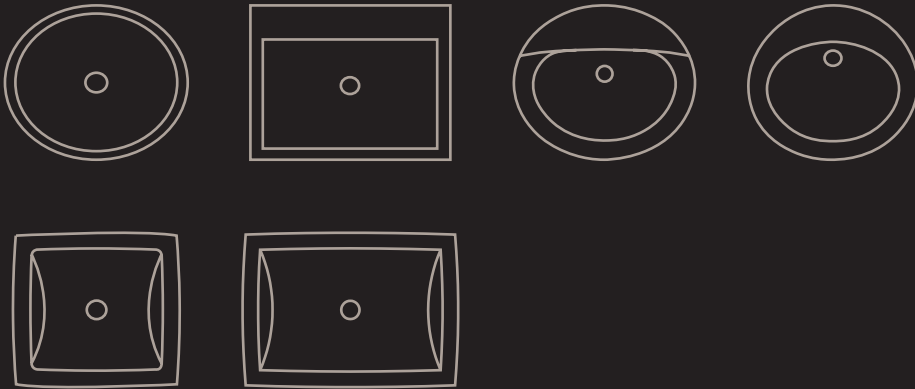








Sinks



Kub

VESSEL SINK



Outer dimensions: 19½ × 18"
Inner dimensions: 16½ × 12½"
Warranty: 10 years

Kub One hole drill 52222020.B
Kub 4" drill 52413020.B
Kub 8" drill 52056020.B



Totti

VESSEL SINK



Outer dimensions: 15¾"
Inner dimensions: 14¾"
Warranty: 10 years

Totti Sink 52057020.B



Centurion

UNDER-MOUNT SINK



Outer dimensions: 21 $\frac{3}{4}$ × 18"
Inner dimensions: 19 $\frac{1}{4}$ × 15 $\frac{3}{4}$ "
Warranty: 10 years

Centurion Sink 52100020.B



Centurion Jr.

UNDER-MOUNT SINK



Outer dimensions: 19 × 16½"

Inner dimensions: 16¾ × 14"

Warranty: 10 years

Centurion Jr. Sink 52103020.B





Audaze SQ

UNDER-MOUNT SINK

Outer dimensions: 16¼ × 16¼"

Inner dimensions: 13 × 13"

Warranty: 10 years

Audaze SQ Sink 52820020.B



Audaze R

UNDER-MOUNT SINK

Outer dimensions: 22¾ × 16¼"

Inner dimensions: 19½ × 13¼"

Warranty: 10 years

Audaze R Sink 52821020.B





Venus

DROP-IN SINK



Outer dimensions: 19¼ × 19¼"
Inner dimensions: 15 × 12½"
Warranty: 10 years

Venus One hole drill 52062020.B
Venus 4" drill 52060020.B
Venus 8" drill 52061020.B



Oxford

DROP-IN SINK



Outer dimensions: 20½ × 17¼"
Inner dimensions: 15½ x 10"
Warranty: 10 years

Oxford One hole drill 52054020.B
Oxford 4" drill 52050020.B
Oxford 8" drill 52051020.B



Austria

AUSTRIA PEDESTAL LAVATORY



Outer dimensions: 20 × 16¾"
Inner dimensions: 16⅞ × 11½"
Warranty: 10 years

Austria One hole drill 52009020.B
Austria 4" drill 52010020.B
Austria Pedestal 53010020.B



Neo

NEO PEDESTAL LAVATORY



Outer dimensions: 21½ × 18⅞"
Inner dimensions: 18⅞ × 12¾"
Warranty: 10 years

Neo One hole drill 52582020.B
Neo 4" drill 52682020.B
Neo Pedestal 53182020.B





Commercial



Brescia

BRESCIA ELONGATED HET BOWL WITH TOP SPUD



Water consumption: 1.28 GPF

Height a 15"

MaP: 600 gr.

Warranty: 10 years

Brescia: 72.7302.23.B



c ®

Brescia EL ADA Bowl

BRESCIA ADA-HEIGHT HET BOWL WITH TOP SPUD



Water consumption: 1.28 GPF

Height: 17"

MaP: 600 gr.

Warranty: 10 years

Brescia EL ADA Bowl: 72.7303.23.B



Sultana II

SULTANA II WALL HUNG LAV



Outer dimensions: 19¼ x 17¼"
Inner dimensions: 15½" x 10¾"
Warranty: 10 years

Sultana II 52002020.B



Sorrento

SORRENTO URINAL WITH TOP SPUD



Water Consumption: 1 GPF
Outlet Flange: 2"
Top Spud: 3/4"
Warranty: 10 years

Sorrento: 72.7402.23.B



Ceres Wall - Hung Bowl

CERES WALL-HUNG HET WITH TOP SPUD



Water Consumption: 1.28 GPF
MaP: 600 gr.
Warranty: 10 years

Ceres Wall-Hung Bowl: 72.7305.23.B







Spec sheets

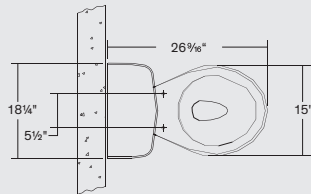
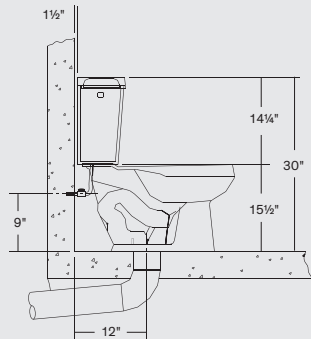


BRANIFF
WATER SOLUTIONS

Toilet

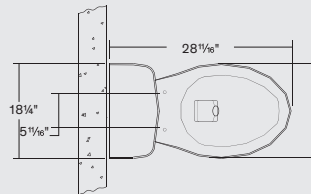
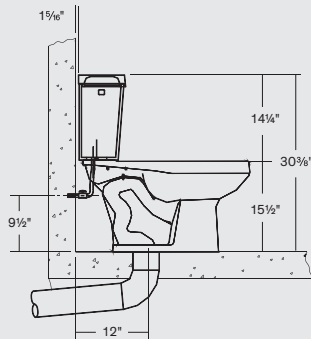
Creel RF

HET TOILET



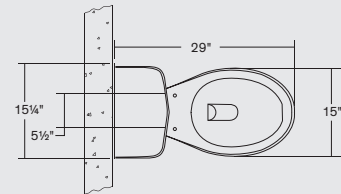
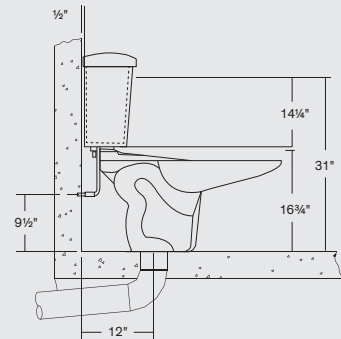
Creel EL

HET TOILET



Creel ADA

HET TOILET



Water consumption: 1.28 GPF
 Type: Two-piece toilet
 Flush: Dual-fed siphon jet
 Trapway: 2" fully glazed
 Flush Valve: 3"
 Water spot RF: 7 × 8 1/2"
 MaP: 600 gr
 Average Weight: RF: 69.44 lbs
 Tank versions: LH
 Rough-In Models: 12"
 Seat and supply not included
 Warranty: 10 years on Vitreous China
 & 1 year on fittings

RF Bowl T22028A020.B
 12" Rough-In Tank TQ1032A020.B

Water consumption: 1.28 GPF
 Type: Two-piece toilet
 Flush: Dual-fed siphon jet
 Trapway: 2" fully glazed
 Flush Valve: 3"
 Water spot EL: 6 3/4 × 8 1/2"
 MaP: 600 gr
 Average Weight: 77.74 lbs
 Tank versions: LH
 Rough-In Models: 12"
 Seat and supply not included
 Warranty: 10 years on Vitreous China
 & 1 year on fittings

EL Bowl T22030A020.B
 12" Rough-In Tank TQ1032A020.B

Water consumption: 1.28 GPF
 Type: Two-piece toilet
 Flush: Dual-fed siphon jet
 Trapway: 2" fully glazed
 Flush Valve: 3"
 Water spot ADA: 7 × 9 1/4"
 MaP: 800 gr.
 Average Weight: ADA: 76.1 lbs
 Tank versions: LH
 Rough-In Models: 12"
 Seat and supply not included
 Warranty: 10 years on Vitreous China
 & 1 year on fittings

ADA Bowl 50470020.B
 12" Rough-In Tank TQ1032A020.B



Fluidmaster.



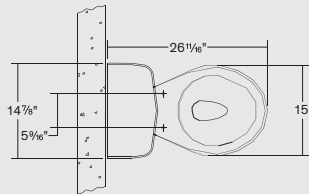
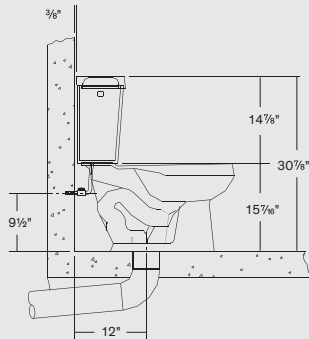
Fluidmaster.



Fluidmaster.

Real RF

HET TOILET

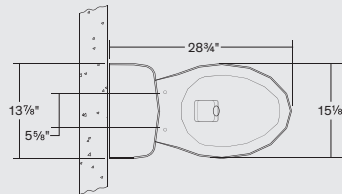
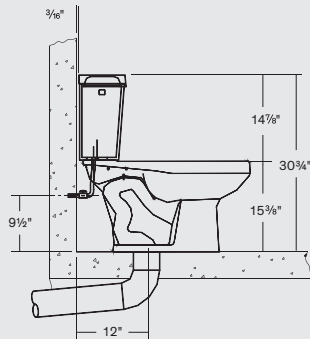


Water consumption: 1.28 GPF
 Type: Two-piece toilet
 Flush: Dual-fed siphon jet
 Trapway: 2" fully glazed
 Flush Valve: 3"
 Water spot RF: 7 × 8½"
 Map: 600 gr
 Average Weight: 69.53 lbs
 Tank versions: LH
 Rough-In Models: 12"
 Seat and supply not included
 Warranty: 10 years on Vitreous China &
 1 year on fittings

RF Bowl TZ2029A020.B
 12" Rough-In Tank TQ1034A020.B

Real EL

HET TOILET



Water consumption: 1.28 GPF
 Type: Two-piece toilet
 Flush: Dual-fed siphon jet
 Trapway: 2" fully glazed
 Flush Valve: 3"
 Water spot EL: 7 × 9"
 MaP: 700 gr
 Average Weight: EL: 77.92 lbs
 Tank versions: LH
 Rough-In Models: 12"
 Seat and supply not included
 Warranty: 10 years on Vitreous China &
 1 year on fittings

EL Bowl TZ2031A020.B
 12" Rough-In Tank TQ1034A020.B



Fluidmaster.

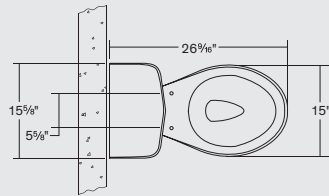
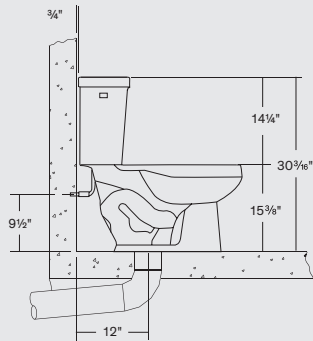


Fluidmaster.

Toilet

Dolphin RF

HET TOILET



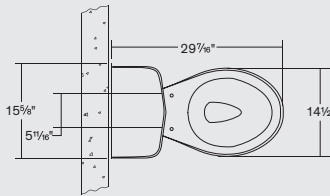
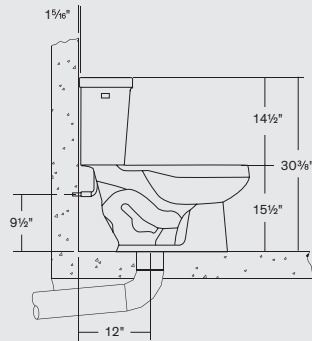
Water consumption: 1.28 GPF
 Type: Two-piece toilet
 Flush: Dual-fed siphon jet
 Trapway: 2"
 Flush Valve: 3"
 Water spot RF: 7 x 8 1/2"
 MaP: 600 gr.
 Average Weight: RF: 70.72 lbs.
 Tank versions: LH / RH / Dual
 Rough-In Models: 12" / 14"
 Seat and supply not included
 Warranty: 10 years on Vitreous China
 & 1 year on fittings

RF Bowl T22028A020.B
 12" Rough-In Tank TQ1033A020.B
 14" Rough-In Tank TQ1036A020.B
 12" Rough-In Tank Dual 51603020.B
 12" Rough-In Tank Right Lever
 TQ1033C020.B
 12" Rough-In 1.6 GPF Tank
 TQ1033B020.B



Dolphin EL

HET TOILET



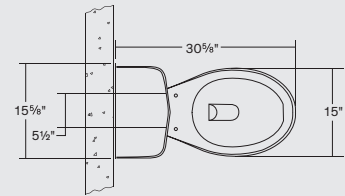
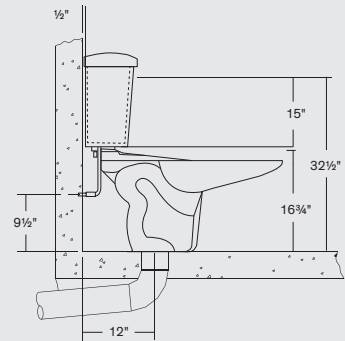
Water consumption: 1.28 GPF
 Type: Two-piece toilet
 Flush: Dual-fed siphon jet
 Trapway: 2"
 Flush Valve: 3"
 Water spot EL: 7 x 9 1/4"
 MaP: 600 gr.
 Average Weight: EL: 76.49 lbs
 Tank versions: LH / RH / Dual
 Rough-In Models: 12" / 14"
 Seat and supply not included
 Warranty: 10 years on Vitreous China
 & 1 year on fittings

EL Bowl T22030A020.B
 12" Rough-In Tank TQ1033A020.B
 14" Rough-In Tank TQ1036A020.B
 12" Rough-In Tank Dual 51603020.B
 12" Rough-In Tank Right Lever
 TQ1033C020.B
 12" Rough-In 1.6 GPF Tank
 TQ1033B020.B



Dolphin ADA

HET TOILET



Water consumption: 1.28 GPF
 Type: Two-piece toilet
 Flush: Dual-fed siphon jet
 Trapway: 2"
 Flush Valve: 3"
 Water spot ADA: 7 x 9 1/2"
 MaP: 800 gr.
 Average Weight: ADA: 76.96 lbs
 Tank versions: LH / RH / Dual
 Rough-In Models: 12" / 14"
 Seat and supply not included
 Warranty: 10 years on Vitreous China
 & 1 year on fittings

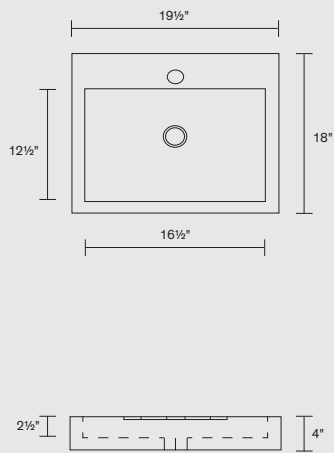
ADA Bowl 50470020.B
 12" Rough-In Tank TQ1033A020.B
 14" Rough-In Tank TQ1036A020.B
 12" Rough-In Tank Dual 51603020.B
 12" Rough-In Tank Right Lever
 TQ1033C020.B
 12" Rough-In 1.6 GPF Tank
 TQ1033B020.B



Sink

Kub

VESSEL SINK

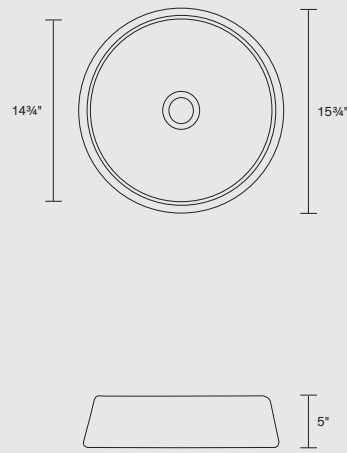


Outer dimensions: 19 1/2" × 18"
Inner dimensions: 16 1/2" × 12 1/2"
Average Weight: 30.2 lbs
Warranty: 10 years

Kub One hole drill 52222020.B
Kub 4" drill 52413020.B
Kub 8" drill 52056020.B

Totti

VESSEL SINK

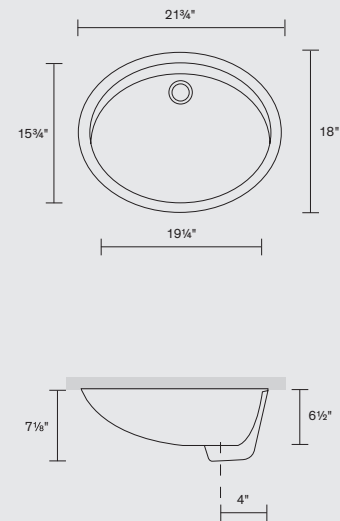


Outer dimensions: 15 3/4"
Inner dimensions: 14 3/4"
Average Weight: 17.74 lbs
Warranty: 10 years

Totti Sink 52057020.B

Centurion

UNDER-MOUNT SINK



Outer dimensions: 21 3/4" × 18"
Inner dimensions: 19 1/4" × 15 3/4"
Average Weight: 19.06 lbs
Warranty: 10 years

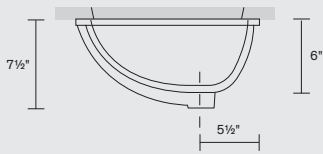
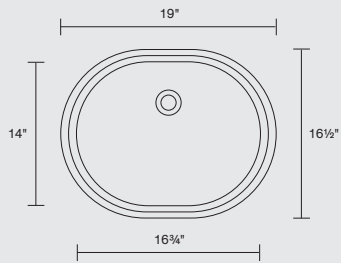
Centurion Sink 52100020.B



Sink

Centurion Jr.

UNDER-MOUNT SINK

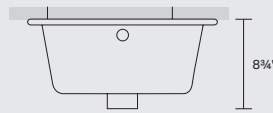
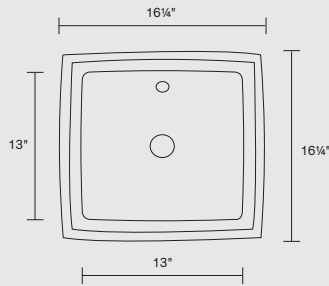


Outer dimensions: 19 × 16 1/2"
Inner dimensions: 16 3/4 × 14"
Average Weight: 14.04 lbs
Warranty: 10 years

Centurion Jr. Sink 52103020.B

Audaze SQ

UNDER-MOUNT SINK

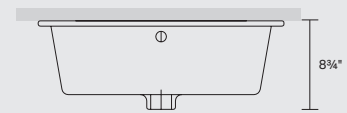
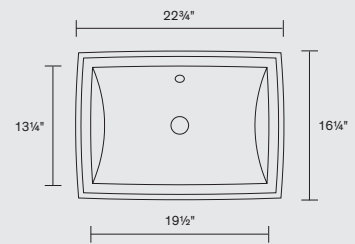


Outer dimensions: 16 1/4 × 16 1/4"
Inner dimensions: 13 × 13"
Average Weight: 15.04 lbs
Warranty: 10 years

Audaze SQ Sink 52820020.B

Audaze R

UNDER-MOUNT SINK



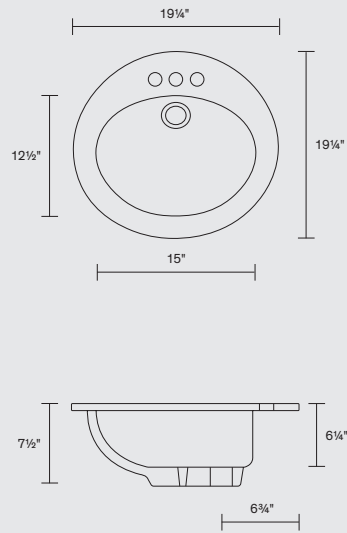
Outer dimensions: 22 3/4 × 16 1/4"
Inner dimensions: 19 1/2 × 13 1/4"
Average Weight: 25.17 lbs
Warranty: 10 years

Audaze R Sink 52821020.B



Venus

DROP-IN SINK

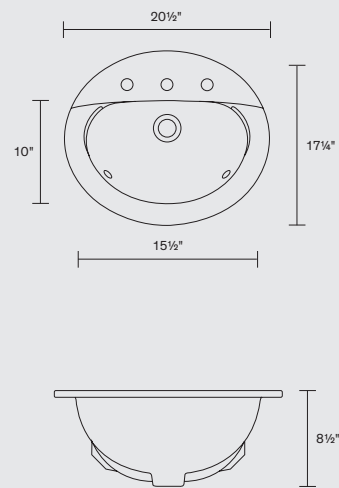


Outer dimensions: 19 1/4 × 19 1/4"
Inner dimensions: 15 × 12 1/2"
Average Weight: 18.27 lbs
Warranty: 10 years

Venus One hole drill 52062020.B
Venus 4" drill 52060020.B
Venus 8" drill 52061020.B

Oxford

DROP-IN SINK



Outer dimensions: 20 1/2 × 17 1/4"
Inner dimensions: 15 1/2 × 10"
Average Weight: 18.29 lbs
Warranty: 10 years

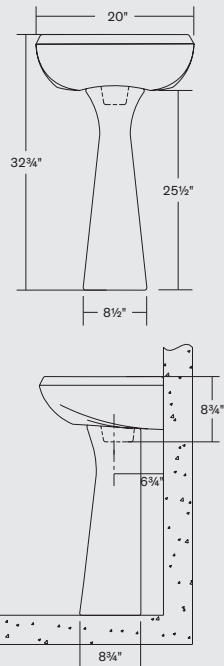
Oxford One hole drill 52054020.B
Oxford 4" drill 52050020.B
Oxford 8" drill 52051020.B



Sink

Austria

AUSTRIA PEDESTAL LAVATORY

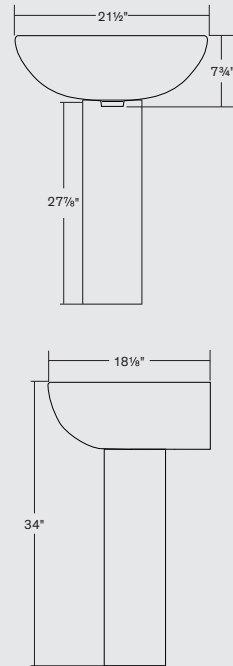


Outer dimensions: 20 × 16 3/4"
Inner dimensions: 16 7/8 × 11 1/2"
Total Height: 32 3/4"
Average Weight: 53.65 Lbs
Warranty: 10 years

Austria One hole drill 52009020.B
Austria 4" drill 52010020.B
Austria Pedestal 53010020.B

Neo

NEO PEDESTAL LAVATORY



Outer dimensions: 21 1/2 × 18 1/8"
Inner dimensions: 18 1/8 × 12 3/8"
Total Height: 34"
Average Weight: 56.5 lbs
Warranty: 10 years

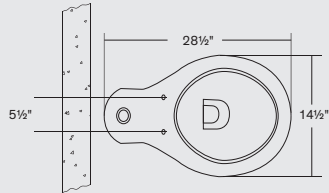
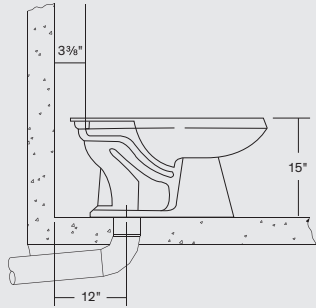
Neo One hole drill 52582020.B
Neo 4" drill 52682020.B
Neo Pedestal 53182020.B



Commercial

Brescia

BRESCIA ELONGATED HET BOWL WITH TOP SPUDT



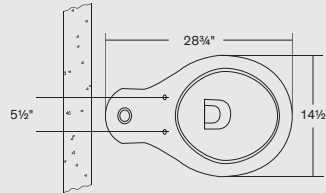
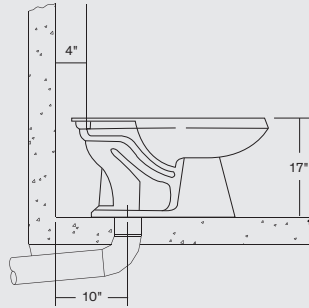
Water consumption: 1.28 GPF
 Height: 15"
 Flush: Flushometer
 Trapway: 2" fully glazed
 MaP: 600 gr.
 Average Weight: 48.23 lbs.
 Spud and seat included
 Warranty: 10 years

Brescia: 72.7302.23.B



Brescia EL ADA Bowl

BRESCIA ADA-HEIGHT HET BOWL WITH TOP SPUDT



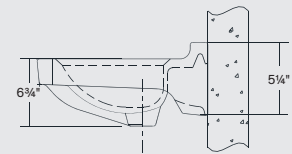
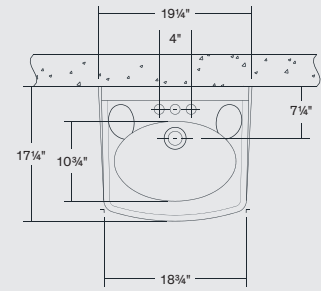
Water consumption: 1.28 GPF
 Height: 17"
 Flush: Flushometer
 Trapway: 2" fully glazed
 MaP: 600 gr.
 Average Weight: 47.12 lbs.
 Spud and seat included
 Warranty: 10 years

Brescia EL ADA Spud Bowl: 72.7303.23.B



Sultana II

SULTANA II WALL HUNG LAV



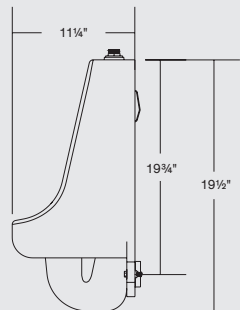
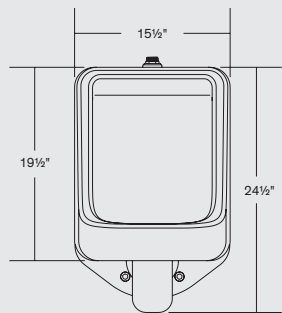
Outer dimensions: 19 1/4" × 17 1/4"
 Inner dimensions: 15 1/2" × 10 3/4"
 Average Weight: 22.7 lbs
 Warranty: 10 years

Sultana II 52002020.B



Sorrento

SORRENTO URINAL WITH TOP SPUD



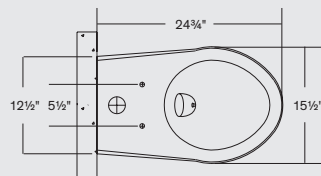
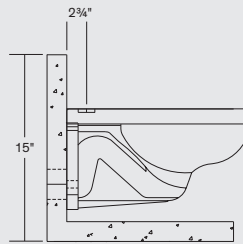
Water Consumption: 1 GPF
 Type: Medium urinal
 Flushometer: Washout technology
 Top Spud: 3/4"
 Outlet Flange: 2"
 Average Weight: 36.32 lbs.
 Warranty: 10 years

Sorrentol: 72.7402.23.B



Ceres Wall - Hung Bowl

CERES WALL-HUNG HET WITH TOP SPUD



Water Consumption: 1.28 GPF
 Flush: Flushometer
 Trapway: 2" fully glazed
 Water spot: 9 x 10 3/4"
 MaP: 600 gr.
 Average Weight: 47.17 lbs.
 Spud and seat included
 Warranty: 10 years

Ceres Wall-Hung Bowl: 72.7305.23.B

